

Rate: 10 to 20 big bags/hr.
Weight capacity: 2 tons/big bag
Objectives: dosing & flexibility depending on powder characteristics

CONTAINMENT, DENSIFICATION AND GROSS WEIGHING

The whole adjustable structure provides flexibility to accommodate a range of bag sizes. The filling head is designed with a double envelop to ensure volume balancing and avoid dust contamination of the workplace. The tension cylinder, fan and vibrating table gives an optimal shape to the big bags. Vibrating table provides material densification with low density. Handling filled big bag is safe and without any tipping risk.



TECHNICAL SPECIFICATIONS

Flow rate: 10 to 20 big bags/hr.
Manufacturing materials: mild steel, SS 304L, SS 316L
Finishes: RAL 9006, micro-blasted, electropolishing
Installed power: 1.7 kW
Average power consumption: 0.2 kW
Compressed air consumption: 0.9 Nm³/hr.
Service pressure: 6 bars
Input 4 - 20 mA: 1
Input TOR: 6
Output TOR: 6
Weighing precision: ± 500 grams
Dust collecting rate: 300 m³/hr.
Maximum dimensions of big bags:
Length x width x height: 1,550 x 1,550 x 2,400 mm
"U" version forks: allows big bag removal with straps (optional)

OPERATING SEQUENCE

AVERAGE TIME FOR A COMPLETE CYCLE: 3 MIN.

1. The big bag is placed on the filling station
2. The big bag inlet is connected to the filling head by an inflatable gasket ensuring the sealing
3. The height of the filling spout is adjusted by pneumatic cylinder according to the size of the big bag
4. A fan inflates and shapes the big bag
5. Another fan is used to exhaust the air through a reverse jet filter
6. Big bag filling process at high flow rate
7. The big bag is laying on the pallet: bottom shaping (big bag stability during handling process)
8. The vibrating table provides material densification (operated by sequence during the filling process)
9. Weighing control: low filling flow rate to adjust final dosing
10. When the big bag filling sequence is completed, the sealing gasket is deflated. The big bag is ready to be removed
11. The big bag can be removed using either a forklift or a pallet truck



Dosing and weighing
enable business transactions for your products



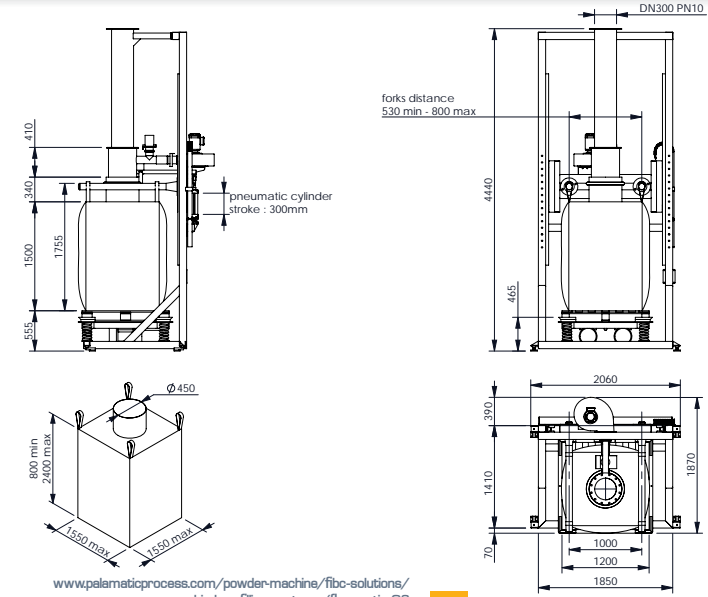
Fan and tension cylinder
ensure big bag pre-forming and internal shaping



Vibrating table provides a compacted material by means of vibration ensuring a maximum of volume reduction of the material in the big bag



"U" shaped forks to remove big bag with straps



Options



Mobile station



Rotating head

See all our options on page 28