

# Sacktip® Enclosed: manual sack opening unit

# Confined



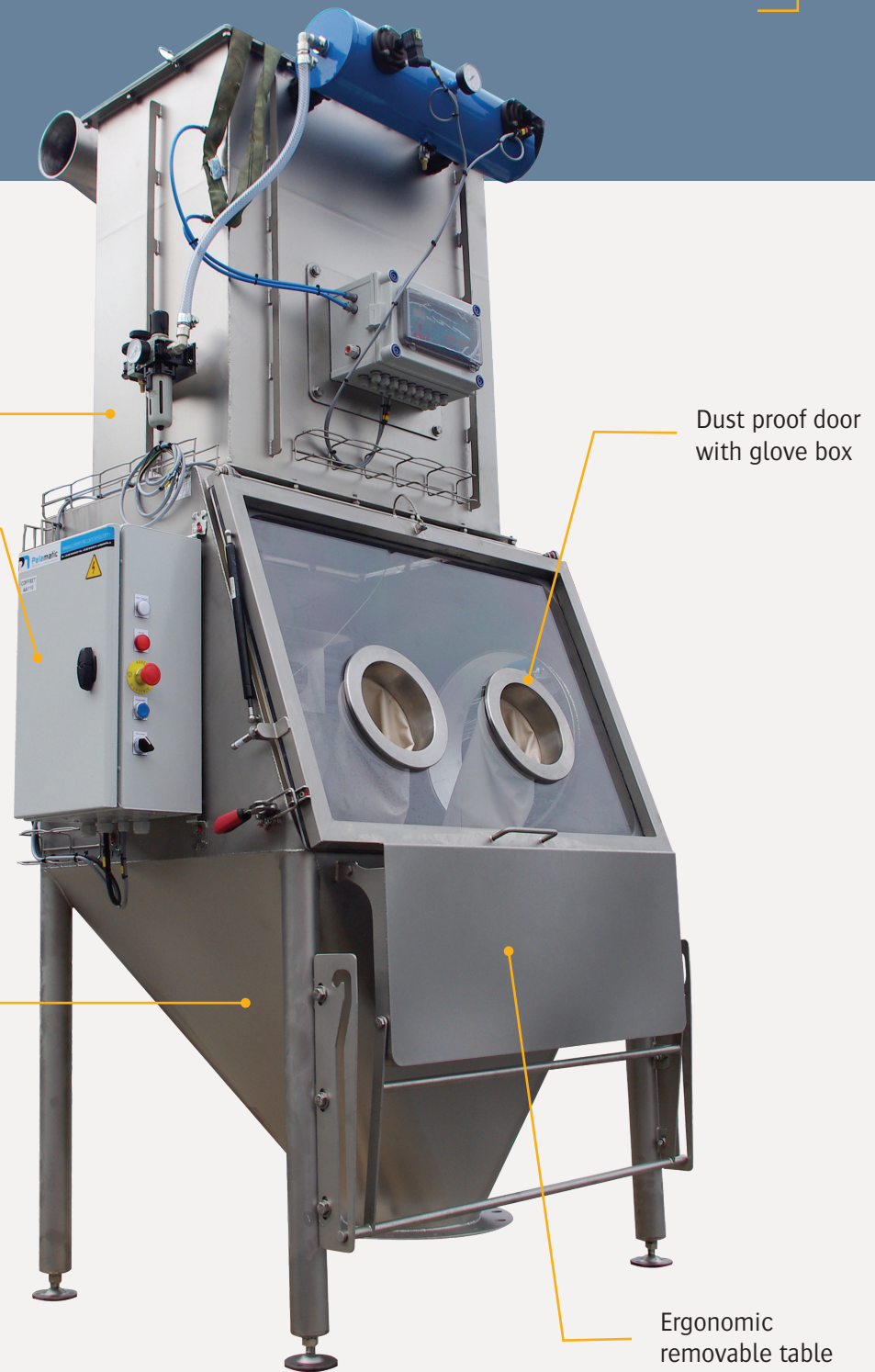
Sacktip® Enclosed

4 standard models:  
SE 800 - SE 1000 - SE 1200 - SE 1400

**Rate:** 2 sacks/min.  
**Objectives:** Ergonomics and containment for toxic products

## OBJECTIVES

- . Emptying of toxic or hazardous products
- . Perfect ergonomics
- . Healthy work environment
- . Advanced containment
- . Protection of operators



## MANUFACTURING

**Structure and parts in contact with the product:** mild steel, 304L stainless steel, 316L stainless steel  
**Access door:** plexiglass, antistatic lexan, tempered laminated glass  
**Sealing:** EPDM, NBR, natural rubber  
**Finishes:** customized RAL, peening, electropolishing



➤ **Glove box** for handling product in a closed and contained area: glass and gloves



➤ **Support** for secured opening tool with support cable



➤ **Mirror-polished finishes** to improve product flow and hygiene. Particularly suitable to the pharmaceutical industry



➤ **Side discharge chute for the bag** to maintain a clean working area and to eject the "dirty" emptied sack in a contained area

## Advantages



## STANDARD MODELS

4 Models	Ref :	SE 800	SE 1000	SE 1200	SE 1400
Length of the sack (mm)		650	850	1050	1250
Flow required for dedusting nozzle (m³/h.)		800	1000	1200	1400
Volume* of the hopper (L) (volume of water)		180	225	265	300
Unloading diameter (DN)		250			
Height from ground from the drain flange (mm)		200			

\* The volume of the hopper is defined according to the need of the process.

## ALTERNATIVES

The introduction of sacks can be conducted by a system of sealed lock chamber (alternatives: belt conveyor, roller conveyor ...)



## Options



Lump breaker



Drum unloading

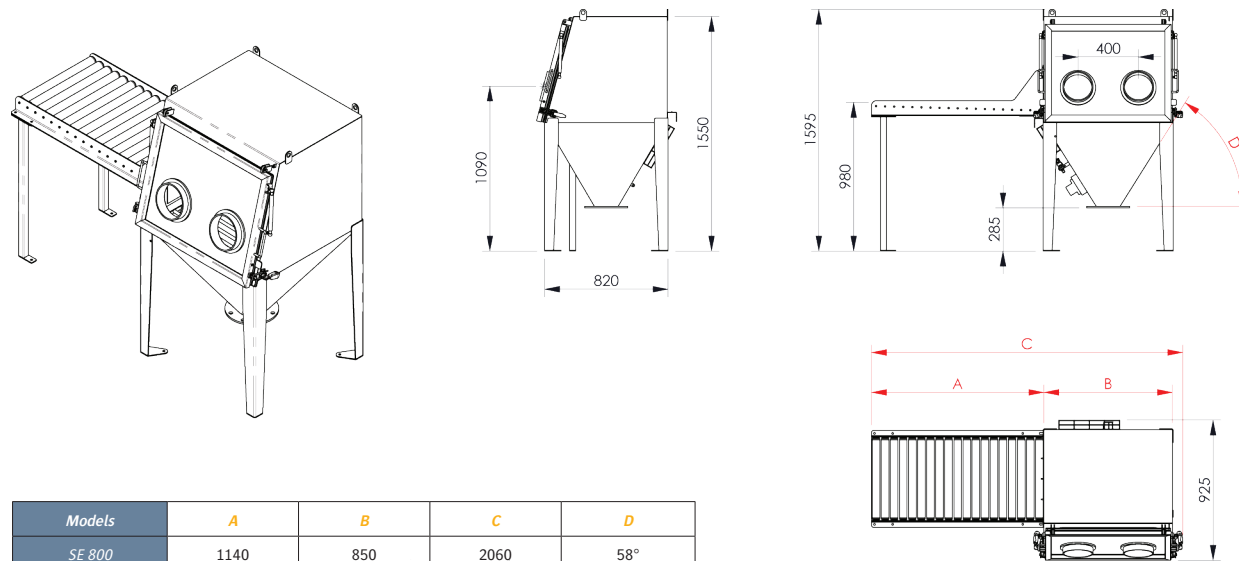
See all our options on pages 18-19

# Sacktip® Enclosed: manual sack opening unit Confined



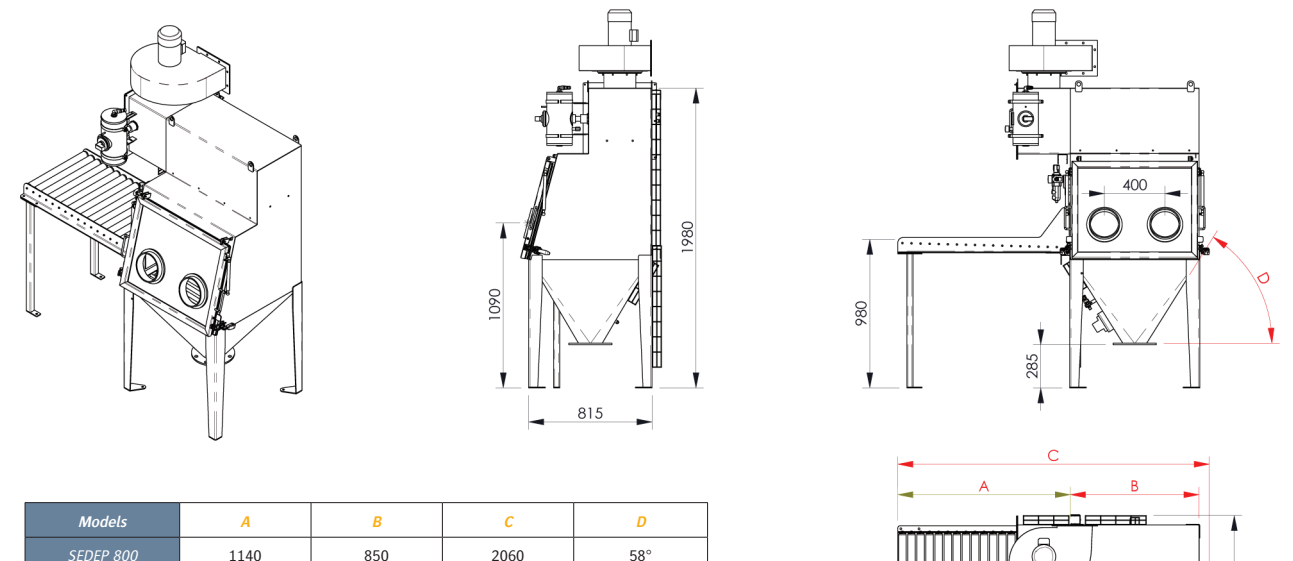
4 standard models:  
SE 800 - SE 1000 - SE 1200 - SE 1400

## ▶ CONFINED MANUAL SACK OPENING UNIT



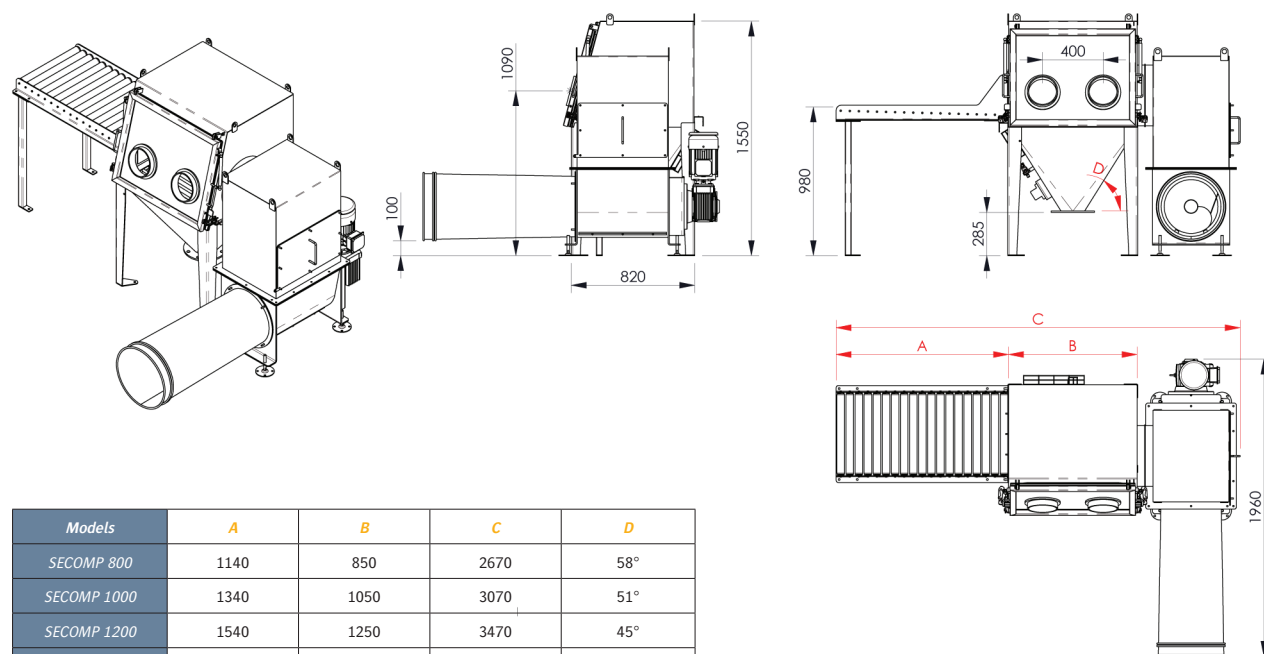
Models	A	B	C	D
SE 800	1140	850	2060	58°
SE 1000	1340	1050	2460	51°
SE 1200	1540	1250	2860	45°
SE 1400	1740	1450	3260	41°

## ▶ OPTION: DUST COLLECTOR



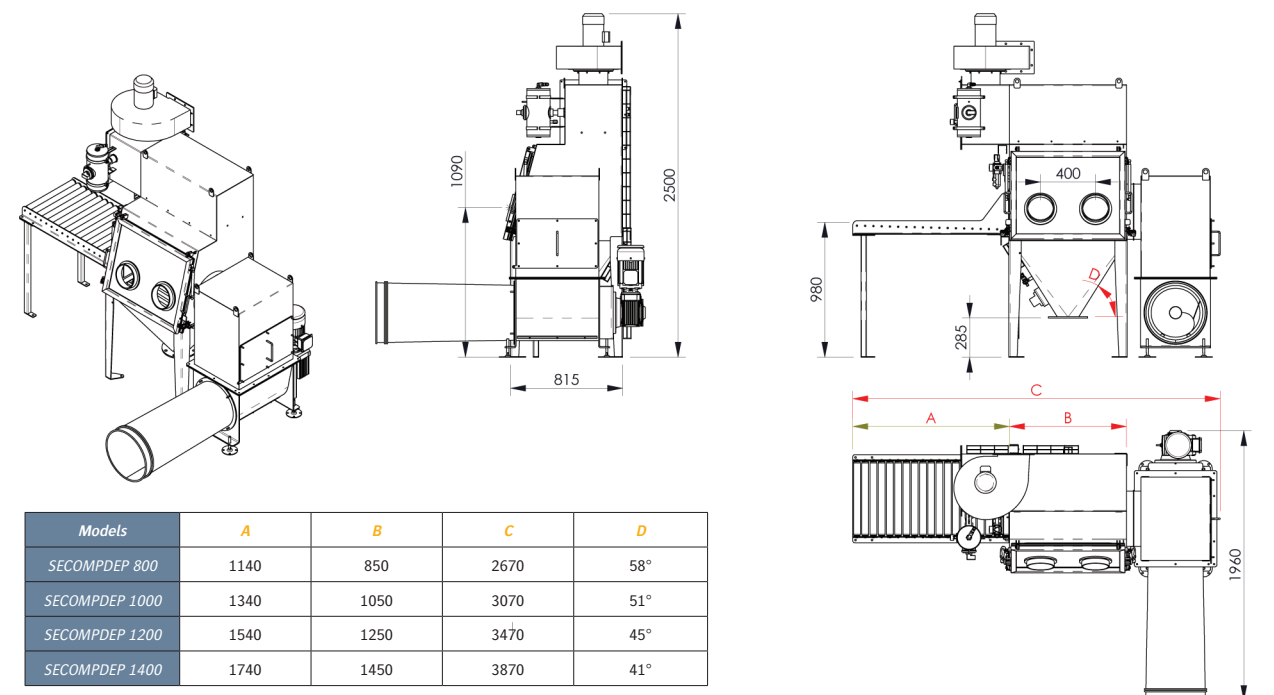
Models	A	B	C	D
SEDEP 800	1140	850	2060	58°
SEDEP 1000	1340	1050	2460	51°
SEDEP 1200	1540	1250	2860	45°
SEDEP 1400	1740	1450	3260	41°

## ▶ OPTION: COMPACTOR



Models	A	B	C	D
SECOMP 800	1140	850	2670	58°
SECOMP 1000	1340	1050	3070	51°
SECOMP 1200	1540	1250	3470	45°
SECOMP 1400	1740	1450	3870	41°

## ▶ OPTIONS: COMPACTOR AND DUST COLLECTOR



Models	A	B	C	D
SECOMPDEP 800	1140	850	2670	58°
SECOMPDEP 1000	1340	1050	3070	51°
SECOMPDEP 1200	1540	1250	3470	45°
SECOMPDEP 1400	1740	1450	3870	41°